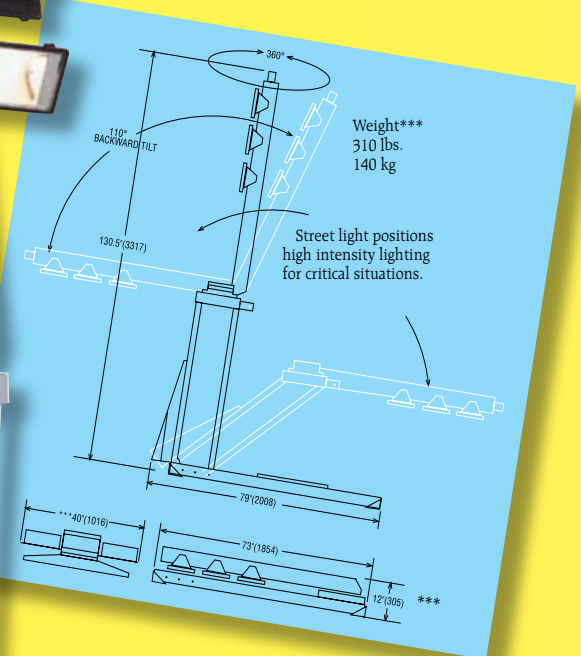
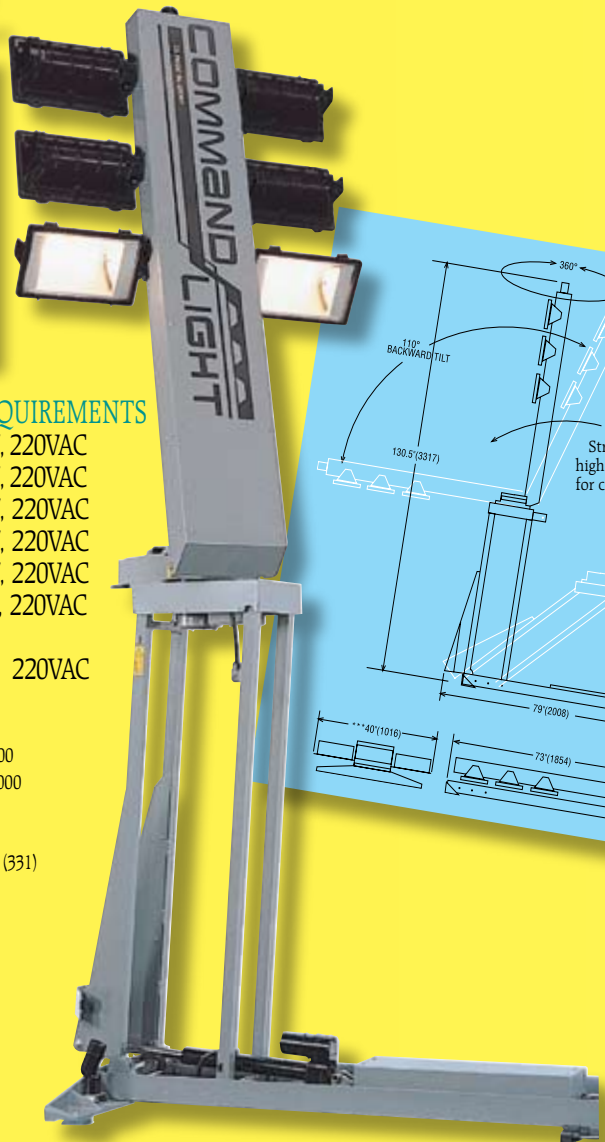


See What You've Been Missing...

*Fast, Reliable, Versatile...*



MODEL No.	DESCRIPTION*	POWER REQUIREMENTS
CL605	6 X 500 Watts Quartz	3 KW, 220VAC
CL609	6 X 900 Watts Quartz	6 KW, 220VAC
CL610	6 X 650 Watts Quartz	4 KW, 220VAC
CL611	6 X 1000 Watts Quartz	6 KW, 220VAC
CL615	6 X 1500 Watts Quartz	9 KW, 220VAC
CL615-2MH	4 X 1500 Watts Quartz 2 X 1000 Metal Halide**	8 KW, 220VAC
CL615-4MH	2 X 1500 Watts Quartz 4 X 1000 Metal Halide**	7 KW 220VAC

\*Lumens per bulb 500W = 11,100 / 650WHIR = 25,200 / 900WHIR = 32,000  
 1000W = 21,500 / 1500W = 35,800 / 1000W Metal Halide = 105,000  
 Note: 650W HIR not for use on PTO Generators

\*\*Allow 15-20 minutes for hot restrike on 1000 Watt Metal Halide bulbs.  
 \*\*\*Weight - 2MH = 360lbs. 165kg Width = 46" (1170) Height = 13.25" (331)  
 4MH = 420lbs. 190kg

### OPTIONS

- BACK LIGHTING
- TOP MOUNTED STROBE  
(Green, Red, Amber & Blue)
- PANEL MOUNTED CONTROLS
- OTHER LIGHTING PACKAGES  
AVAILABLE INCLUDING METAL HALIDE
- MULTIPLE CONTROL  
POSITIONS AVAILABLE

### ALL COMMAND LIGHTS FEATURE

- FULL DEPLOYMENT IN UNDER 15 SECONDS
- FIVE YEAR WARRANTY
- ALL WEATHER (not affected by ice buildup, high winds, blowing dust)
- ABILITY TO OVERHANG SIDE OF VEHICLE
- ONE TOUCH AUTO PARK
- UMBILICAL REMOTE  
CONTROLLER  
WITH 15' CORD



Havis Shields



FRC Focus



Strobe



Metal Halide

- ALL ELECTRIC  
(No air or hydraulics required)
- CONTINUOUS 360° ROTATION
- MAINTENANCE FREE
- NFPA 1901 COMPLIANT
- TESTED TO 90 MPH WIND



Optional backlighting use bottom two lights for down lighting or backlight additional area.

A light source should raise above the vehicle to eliminate glare, but not so high as to dilute the light intensity. Doubling the height reduces the light intensity by the square of the distance or 1/4 of the total output.

